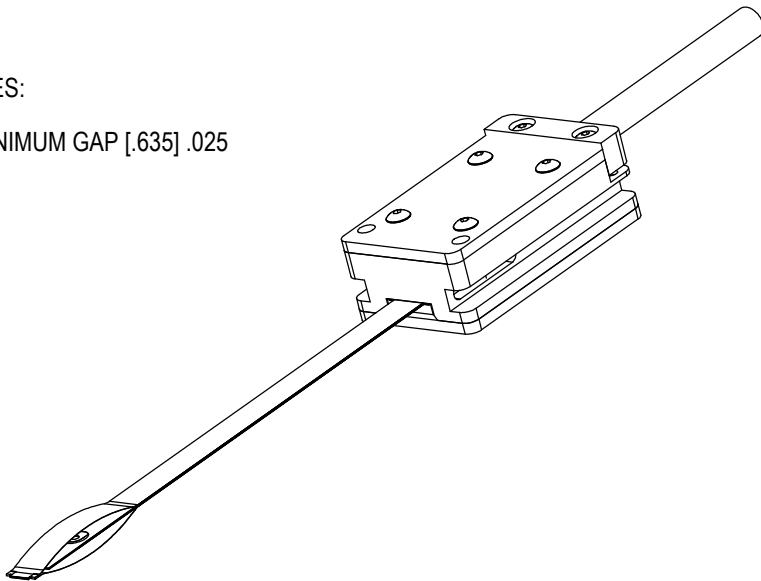


NOTES:

1. MINIMUM GAP [.635] .025



DIMENSIONS ARE NOMINAL VALUES

Capacitec

87 Fitchburg Road, Ayer, MA 01432, USA

SCALE:	1:2	APPROVED:	DATE:	10-7-05
DRAWN:	RAC	PROJECT NAME:		
DWG SIZE:	A	DRAWING TITLE:		
SERIES NO:		DRAWING NO:		
		5509-6947-SD		

**GPD-2(.022)-A-150-FX90
CONTACT GAP PROBE
WITH HOLDER**