



HPB- 375 Button Probe Temperature Ranges A and E

Specifications

Temperature Ranges:

Temperature Range A

Low: 32° F [0° C]
High: 302° F [150° C]

Temperature Range E

Low: -100° F [-73° C]
High: 400° F [205° C]

Linear Range: : 0.250 inches [6.35 millimeters] with a 5 foot [1.52 meters] long Capacitec L2 cable. For cables longer than 5ft consult factory.

Maximum Range: 0.375 inches [6.35 millimeters]

Calibration:

- A 20 point archived calibration record of voltage output versus nominal displacement is provided standard with every probe.
- Several NIST traceable calibrations are available.

Material: Case, guard, and sensor are 303 stainless steel

Driven Guard: The guard element is driven with an electronic voltage of 2V to 20V peak to peak. Note, guard must not be grounded.

Dip Coating: "-D" epoxy dip coatings are optional to prevent accidental earth grounding or shorting of the elements.

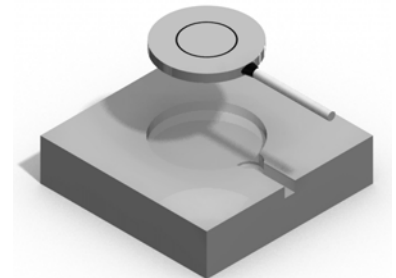
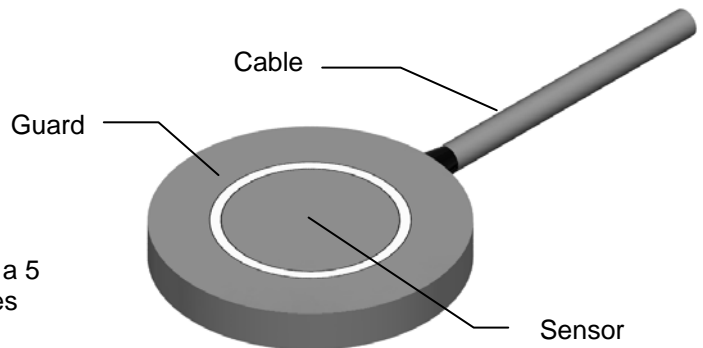
Mounting:

- Capacitec HPB probes are intended to be mounted within a countersink.
- See mounting drawing on page 6 for details.

Cable:

- Coaxial Capacitec L2 or L3 cable is standard.
- Probe must be calibrated with the cable type and length selected.
- Cable must not be cut or spliced.

Probe Thickness: There is one standard thickness and 2 non-standard thicknesses. See drawing for dimensions.





HPB- 375 High Temperature Button Probe Temperature Ranges V and S

Specifications

Temperature Ranges:

Temperature Range V

Low: -100° F [-73° C]

High: 1600° F [871° C]

Temperature Range S

Low: -100° F [-73° C]

High: 1832° F [1000° C]

Linear Range: 0.250 inches [6.35 millimeters] with a 5 foot [1.52 meters] long Capacitec T cable. For cables longer than 5ft consult factory.

Maximum Range: 0.375 inches [6.35 millimeters]

Calibration:

- A 20 point archived calibration record of voltage output versus nominal displacement is provided standard with every probe.
- Several NIST traceable calibrations are available.

Material: Case, guard, and sensor are Inconel 600[®] (range V) or Haynes 230[®] (range S)

Driven Guard: The guard element is driven with an electronic voltage of 2V to 20V peak to peak. Note, guard must not be grounded.

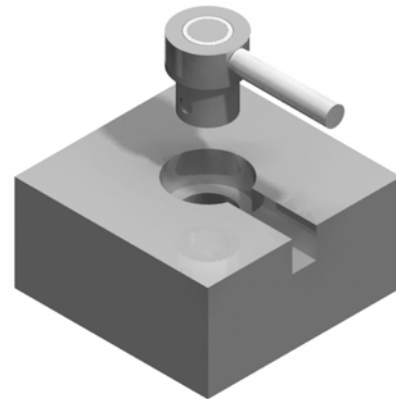
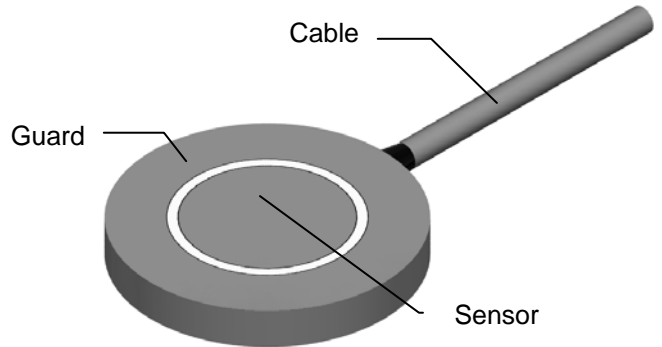
Mounting:

- Capacitec HPB probes are intended to be mounted within a countersink.
- See mounting drawing on page 7 for details.

Cable:

- High temperature insulated Capacitec T type, is standard.
- Probe must be calibrated with the cable type and length selected.
- Cable must not be cut or spliced.

Probe Lengths: There is one standard thickness. See drawing for dimensions.





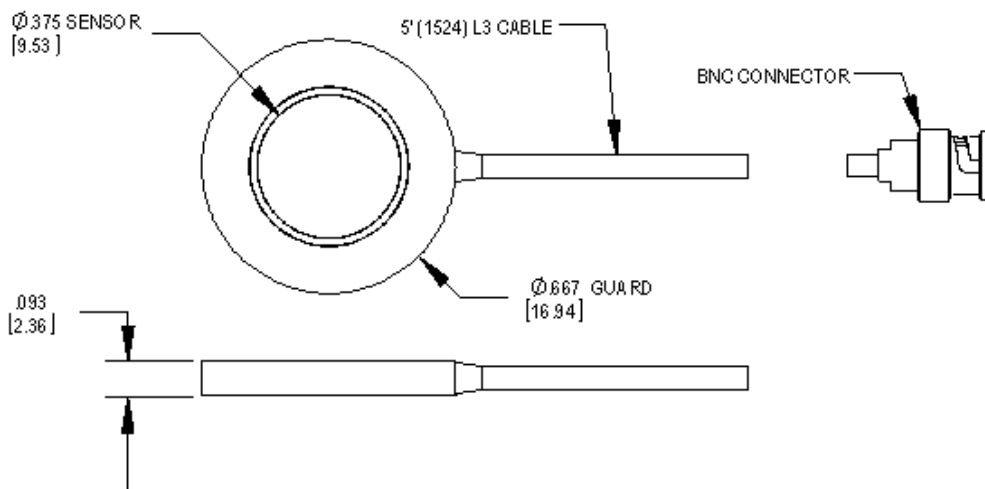
HPB- 375 Button Probe Part Number Reference Guide

HPB – 375 X	-	X	-	XX	-	XX	-	X
PROBE LENGTH		OPERATING TEMPERATURE		CABLE TYPE		CABLE LENGTH		CONNECTOR TYPE
A - .093" (2.36)		A - 32 to 302°F (0 to 150°C)		L2 - .093" coax (2.36)		5 - 5' Standard (1524)		M – 10-32 Microdot (Not compatible with I2 or N cable)
B - .065" (1.65)		E - 100 to 400°F (-73 to 205°C)		L3 - .063" coax (1.60)		X - Other in ft.		B – BNC
C – (High Temp) .125" (3.18)		V - 100 to 1600°F (-73 to 371°C)		I2 - .125" coax (3.18)				MCX – MCX (Not compatible with I2 or N cable)
		S - 100 to 1832°F (-73 to 1000°C)		T – High Temp .063" coax (1.60)				
				N – High Temp .140" coax (3.56)				

(DIMENSIONS) IN MILLIMETERS

EXAMPLE: HPB-375A-A-L3-5-B

HPB-375A
A TEMPERATURE RANGE

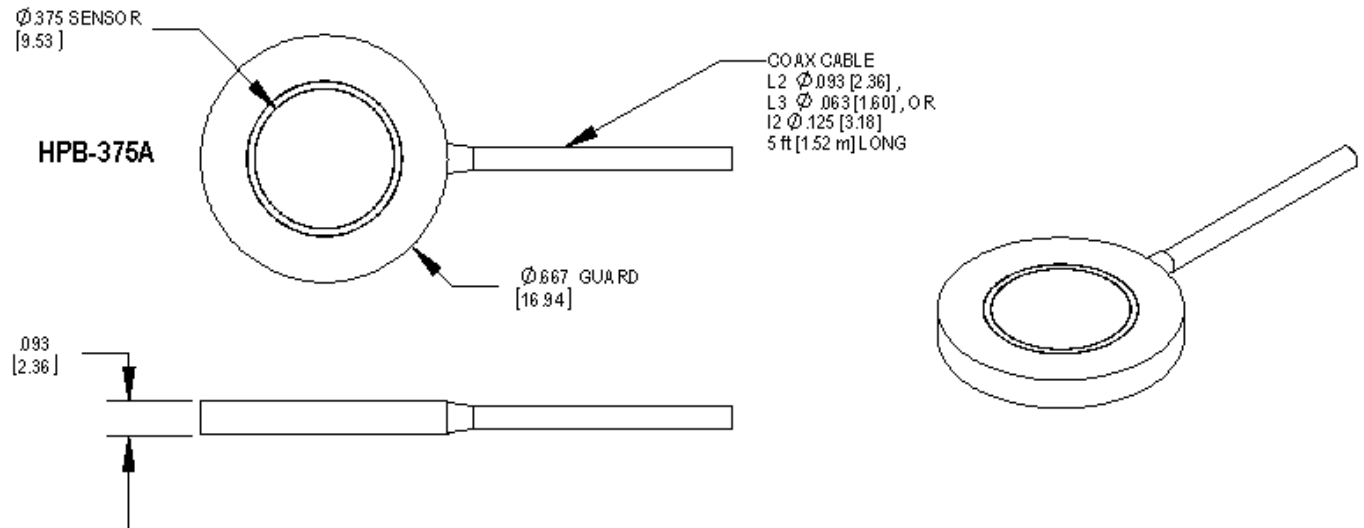


Capacitec
HPB-375
Standard Button Probe
Temperature Ranges A and E
Thickness A

DIMENSIONS ARE NOMINAL VALUES

CUSTOM THICKNESS OPTIONS	
OPTION	THICKNESS
B	.065 [1.65]
C	.125 [3.17]

TEMPERATURE RANGE				
OPTION	RANGE (°F)		RANGE (°C)	
	LOW	HIGH	LOW	HIGH
A	32°	302°	0°	150°
E	-100°	400°	-73°	205°

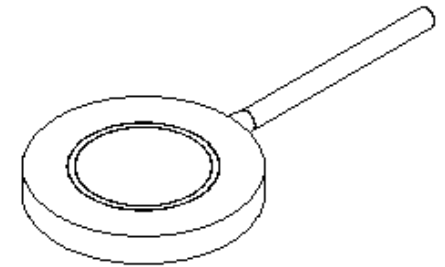
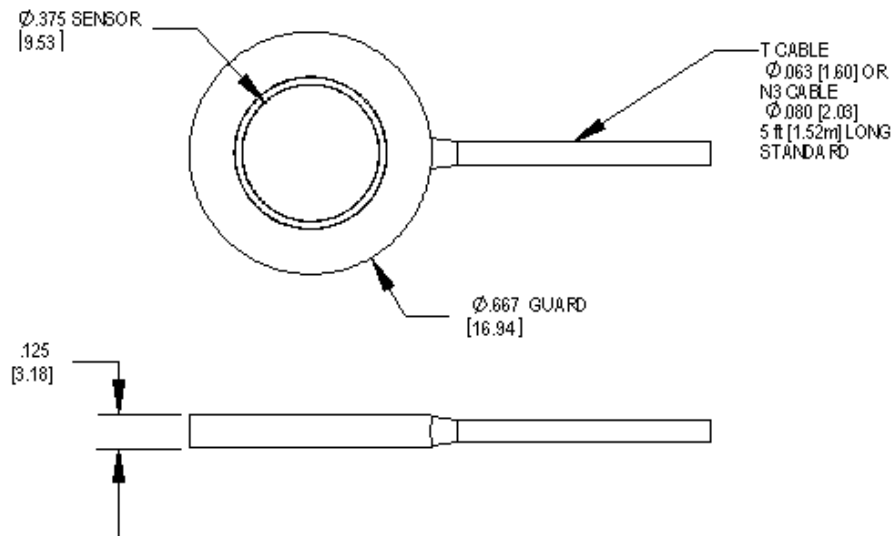




HPB-375
Standard High Temperature
Button Probe
Temperature Ranges V and S
Thickness C

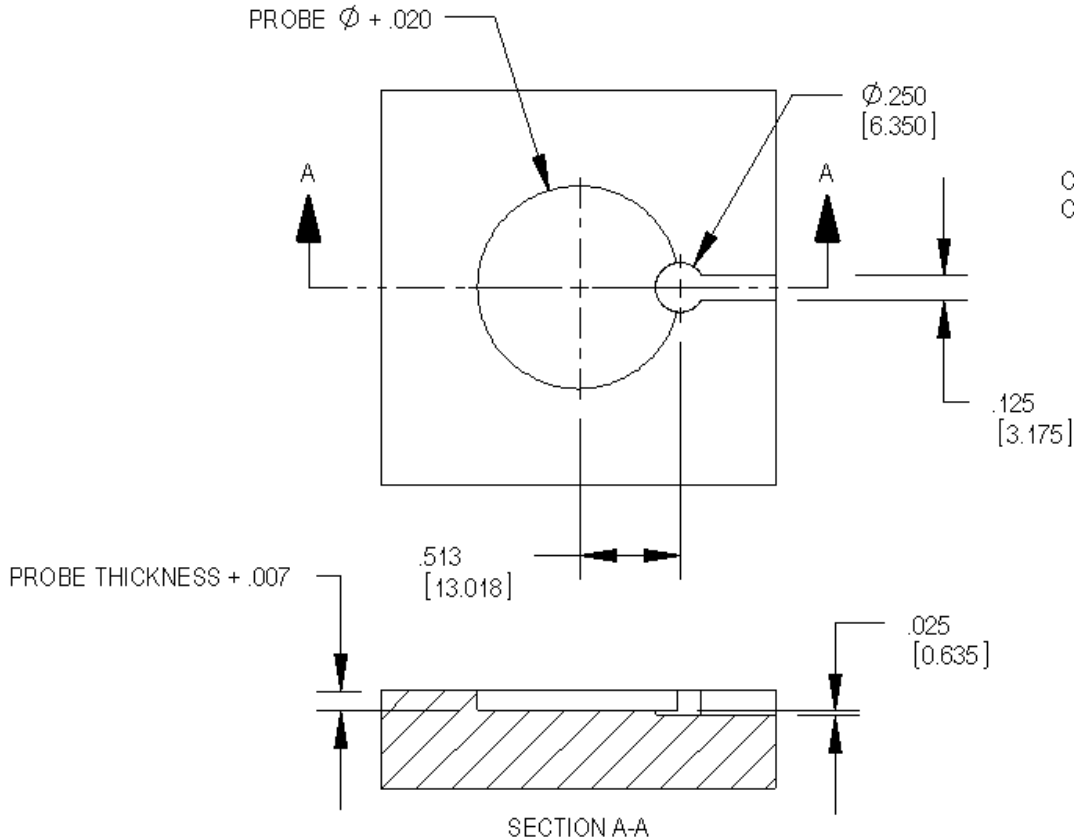
DIMENSIONS ARE NOMINAL VALUES

TEMPERATURE RANGE				
OPTION	RANGE (°F)		RANGE (°C)	
	LOW	HIGH	LOW	HIGH
V	-100 °	1600 °	-73 °	871 °
S	-100 °	1832 °	-73 °	1000 °

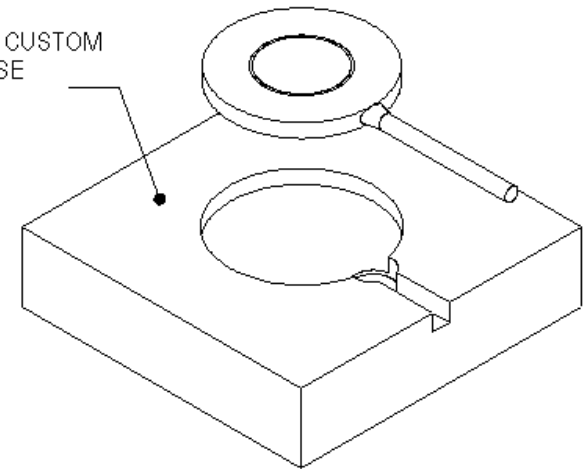


Capacitec

Standard Button Probe Install Temperature Ranges A and E



CAPACITEC SUPPLIED OR CUSTOM
CUSTOMER SUPPLIED CASE

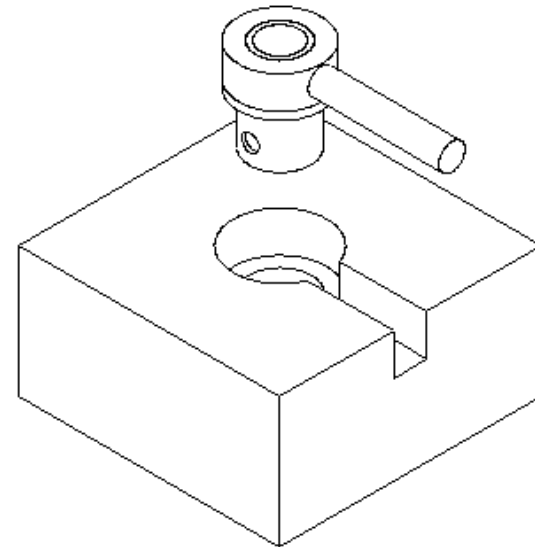
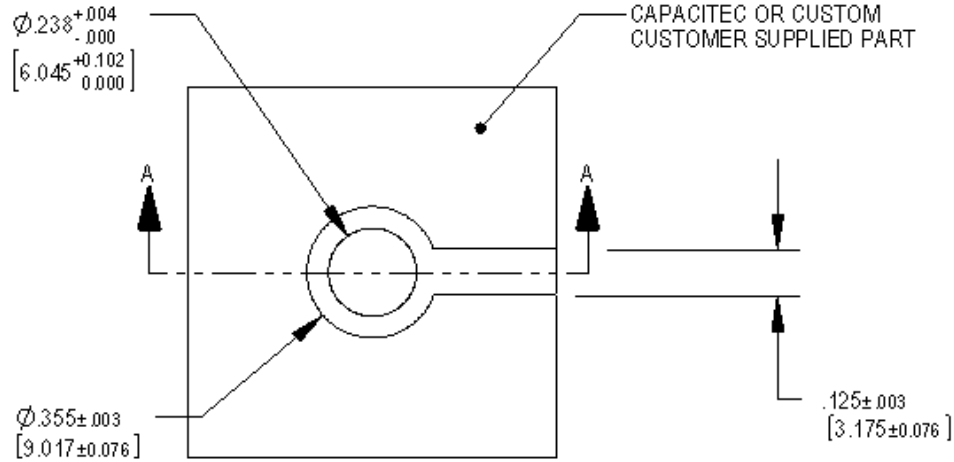


TYPICALLY CAPACITEC INSTALLED

Capacitec

Standard High Temperature Button Probe Install

Temperature Ranges V and S



TYPICALLY CAPACITEC INSTALLED

